



RK-X173G Temperature Control Kettle 温控電熱水壺



僅供家庭使用

For household use only

使用說明書 OPERATION MANUAL

- 在使用本產品前，應仔細閱讀本說明書，閱讀後小心收藏，以備日後查閱。
Read the operation manual carefully before using. Keep it in a safe place for future reference.
- 本說明書中的圖示可能與實物有不同的地方，僅供參考。
Some figures in this manual may not match with the real object, just for reference only.

非常感謝您選購樂信牌溫控電熱水壺，在使用前應先詳細閱讀本說明書，並保存以備日後參考。

目錄

1. 安全注意事項
2. 保養、清潔及儲存
3. 產品規格
4. 產品結構
5. 首次使用
6. 使用方法
7. 特別聲明
8. 售後服務

1. 安全注意事項

1. 為免危險，產品只適用於本說明書註明的用途。切勿將產品或任何部份在室外使用或作其他用途使用。如錯誤操作，可造成傷害。
2. 電熱水壺主體必須與原裝電源底座配合使用。使用前，確保電源底座與主體已徹底連接，確保電源線插緊在電源插座上，否則會因接觸不良導致產品異常發熱或損壞。
3. 切勿從水龍頭或在洗滌槽中直接加水，避免水溢出至連接器或流入機內，或會造成電子零件故障或發生危險。
4. 切勿使用有殘缺或鬆動的插座。
5. 切勿讓兒童清潔及保養產品，除非兒童是年齡在 8 歲或以上及受監督的情況下使用。監督兒童不可將產品當作玩具。將產品、電源底座及其電源線放於 8 歲以下兒童不能接觸的地方。
6. 切勿擅自改裝產品或使用非生產商提供的原廠零件進行修理，否則可造成危險及維修保養無效。
7. 切勿與其他高功率的電器共用同一插座、超額使用電線拖板或使用 220-240V 以外的電源，以防電力負荷過重及造成危險。
8. 產品使用後必須清潔。切勿把產品、電源底座或插頭浸入水中；或被水濺濕，以免造成觸電及火災。
9. 切勿注水超過「MAX 1.7 L」最高水位標記。如果本產品裝水太多，沸騰時滾水可能噴出。
10. 手濕時切勿接觸、插入或拔除插頭，否則可能構成觸電。
11. 經常檢查產品、電源底座、電源線及插頭，如有損壞，為避免危險，應立即停止使用，並聯絡**信興電器服務中心有限公司**安排檢查及維修。
12. 電熱水壺只用作加熱開水，切勿加熱及盛載水以外的液體，如牛奶、茶或冰塊等。
13. 使用時，切勿移動或搖晃產品，以免造成危險。
14. 切勿使任何物件遮蓋產品及倒水口，避免過熱導致故障。
15. 使用手柄移動或提起主體，並應小心緩慢地倒出熱水，以免被燙傷。
16. 不可放重物在電源線上；切勿夾住、改裝、用力拉扯或扭曲電源線。
17. 為避免燙傷，切勿將臉頰或手等靠近壺蓋及壺咀或觸碰變熱的電熱水壺表面；切勿觸摸使用後的發熱板，因仍有餘熱。
18. 在沸水過程中或剛沸騰後，切勿開啟壺蓋，否則有大量水蒸氣會冒出造成燙傷。
19. 在打開壺蓋時，小心灼熱蒸氣及壺蓋有熱水滴落。

20. 切勿在以下環境使用電熱水壺：
 - 潮濕或近水的環境;
 - 被陽光直接照射或靠近熱源，如焗爐、電磁爐及火源;
 - 不平穩的表面上;
 - 易燃物料或不耐熱物品附近(如枱布、窗簾及毛巾等)。
21. 切勿在電源線纏結的情況下使用或將電源線懸掛在桌子、廚櫃的邊緣或讓它接觸發熱的表面，否則損害電源線。
22. 電源底座可能會出現水珠凝結，這是正常現象，並不代表電熱水壺故障。
23. 切勿在加熱開水時將主體移離電源底座。
24. 注水或倒水前，必須確保電熱水壺的電源已關閉，並將主體移離電源底座。
25. 在插入或拔除插頭時，應用手握穩插頭，不要抓住電源線。
26. 使用前，確定產品表面、電源底座及插頭清潔乾爽，否則可能引致故障。
27. 需時常留意水位，必須在水位低於「MIN 0.25 L」最低水位標記線前注水。避免引起產品乾燒，否則可能導致產品損壞。
28. 本產品只可作家庭或類似環境使用，如商店內部、辦事處和其他工作環境的員工廚房區域；農舍；在酒店、汽車旅館以及其他居住環境中供客人使用；在提供住宿及早餐的類型環境中使用。
29. 電熱水壺可供年齡在 8 歲或以上的兒童及體質、感覺或智力有障礙人士或缺乏經驗和相關知識的人士使用，但他們必須曾經接受負責安全人士的監督或指導如何安全地使用電熱水壺和理解所涉及的危險。
30. 使用後，必須拔出插頭然後倒清壺內的剩水。待電熱水壺冷卻後才移動、清潔或檢查。
31. 在關閉水壺頂蓋時需小心，避免發生壺頂蓋夾手，造成危險。

2. 保養、清潔及儲存

1. 清潔前，必須先拔掉電源插頭及將主體與電源底座分離，並待產品冷卻。
2. 切勿用水沖洗產品。如要清潔機身表面，可用柔軟微濕布擦拭。若機身表面污漬太多，可用軟布沾上溫和清潔劑擦拭，然後再抹乾。
3. 在清潔產品內腔及發熱板時，用軟毛刷或海綿沾上溫和清潔劑清洗，再用水清潔乾淨。切勿使用去污粉或粗硬的潔具(如鋼絲刷)擦拭。
4. 切勿使用鹼性、含腐蝕性或有毒的清潔劑清潔產品。

5. 儲存時，將電源線收藏在電源底座，切勿將電源線纏繞在電源底座四周或壓住電源線，避免造成電源線損壞。
6. 儲存時，將產品放入紙箱及存放在乾爽的地方。

2.1 清除水垢步驟:

使用後，產品內腔及發熱板可能會出現小斑點(如紅色、乳白色、黑色等情況)或變色。這個現象是由於水中所含的礦物質、雜質引起變化或因水垢積聚太久所致。水的硬度越大，水垢積聚的速度越快。水垢可能會呈現不同的顏色。水垢雖然無害，但太多的水垢會影響產品的性能，須遵循指示定期清除產品內的水垢。

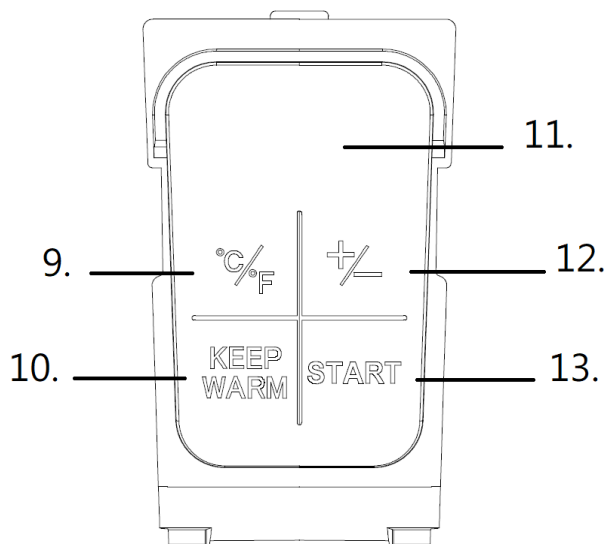
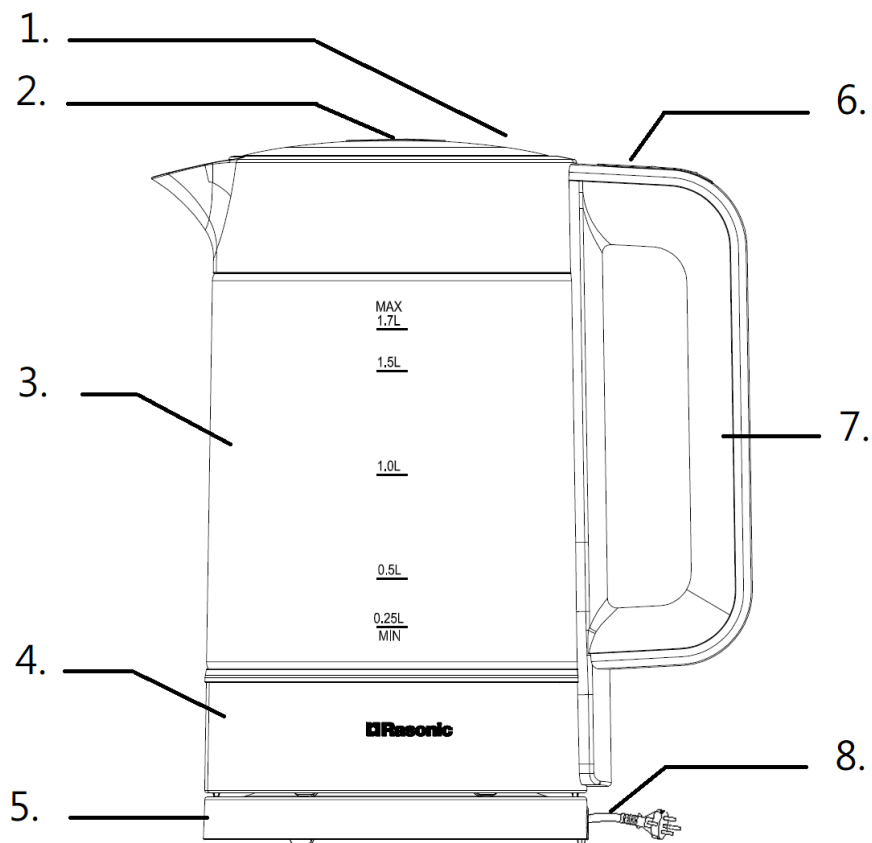
1. 將切片檸檬放入壺內，份量約為 1 至 2 片，或每升水放入 20 克檸檬酸。
2. 注清水入壺內至「MAX 1.7 L」最高水位標記。
3. 連接電源，把水加熱至沸騰後，讓產品冷卻 15 分鐘，再把熱水倒掉。**注意:** 混有檸檬片或檸檬酸的水，不可長時間浸泡在壺內，以免損壞內腔發熱盤表面或導致變色。
4. 用海綿或軟毛刷刷洗內腔及發熱板，然後用清水沖洗乾淨。
5. 再次注入清水加熱至沸騰，然後把熱水倒掉。
6. 若壺內仍有殘餘水垢，可重覆以上步驟。

3. 產品規格

型號	RK-X173G
額定電壓	220-240 伏特~ 50-60 赫茲
額定功率	1850-2200 瓦
容量(約)	1.7 公升
淨重(約)	1.1 公斤
產品尺寸 (闊 x 深 x 高) (約)	217 x 138 x 255 毫米

4. 產品結構

1. 壺蓋
2. 開蓋按鈕
3. 水位顯示窗
4. 主機
5. 電源底座
6. 控制面板
7. 手柄
8. 電源線
9. 溫標按鍵
10. 保溫鍵
11. 實時溫度螢幕
12. 溫度設定鍵
13. 開關鍵



控制面板

5. 首次使用

1. 清除產品的所有包裝物料。
2. 將電源底座放置在乾燥及平穩的表面。
3. 將電源線從電源底座拉出至適當長度，將電源線穿過底座上的槽孔以固定其位置。
4. 用清水清洗產品內腔，然後加水到「MAX 1.7 L」最高水位標記，並將水煮沸一次(請參閱 章節 6.使用方法)。
5. 將熱水倒掉並再次清洗產品內腔，即可使用。
6. 如有需要，可重覆步驟 4 - 5 再次進行產品清潔。

6. 使用方法

6.1 操作說明

1. 注水入電熱水壺前，先將主機移離電源底座，然後按下開蓋按鈕，打開壺蓋。
2. 可使用自來水或蒸餾水。切勿注水低於水壺內標明的「MIN 0.25 L」最低或高於「MAX 1.7 L」最高水位標記，以免煮沸時乾燒或濺出熱水。當水位低於「MIN 0.25 L」水位標記時，切勿煮沸或保溫。
3. 關上壺蓋，確保壺蓋完全合上。
4. 將主體放在電源底座上，並將電源插頭插穩在電源插座上。
5. 水壺不用時，可以放置在電源底座上，但必須關掉電源。

注意：

- 如果意外地讓水壺在無水情況下操作時，防乾燒保護會自動切斷電源。若產品曾乾燒，須先關掉電源，並將產品移離電源底座，待其冷卻 15 分鐘後，才再次使用。
- 倒熱水時，操作要十分小心，水壺內有熱水時切勿打開壺蓋，以免燙傷。

6.2 功能說明

控制面板操作模式介紹

1. 此產品採用觸控面板及數碼顯示。
2. 每次觸碰按鍵都有「嗶」聲提示。
3. 煲水功能完成時會有兩聲「嗶」提示。
4. 產品在通電後顯示預設溫標為攝氏(°C)，可以按溫標鍵(°C/°F)轉換華氏(°F)溫標。
5. 觸碰溫度設定鍵(+ / -)設定不同溫度檔位。
6. 在加熱時，壺內會顯示藍燈。
7. 在保溫功能運作時，壺內會顯示綠燈。
8. 運作時水溫會顯示在屏幕上，以每 1 度遞增或遞減。
9. 在運作的過程中觸碰開關鍵(START)，主機會停止運作並返回待機模式。
10. 產品於保溫 30 分鐘後會自動返回待機模式。

功能溫度參考如下:

設定功能溫度	加熱溫度(約)	保溫溫度(約)	溫度參考
40°C	40°C	40°C	40°C / 104°F
50°C	50°C	50°C	50°C / 122°F
60°C	60°C	60°C	60°C / 140°F
70°C	70°C	70°C	70°C / 158°F
80°C	80°C	80°C	80°C / 176°F
90°C	90°C	90°C	90°C / 194°F
100°C	100°C	不適用	100°C / 212°F

6.3 模式說明

1. 待機模式

螢幕及 LED 燈熄滅。觸碰任意按鍵會使螢幕亮起，進入操作模式。

2. 操作模式

插上電源，把水壺放置在電源底座上。壺內 LED 燈光閃亮（紅、綠、藍），蜂鳴器響兩聲。螢幕顯示即時水溫，觸碰溫度設定鍵（+ / -），螢幕循環顯示（40°C、50°C、60°C、70°C、80°C、90°C、100°C）7 個溫度檔位。如 60 秒內不操作，產品會返回待機模式。

3. 通電過程中提起水壺

在功能運作期間，若提起水壺，會中斷當前運行的功能。若將水壺重新放回底座上，機內 LED 燈光閃爍（紅、綠、藍），蜂鳴器響兩聲。顯示即時水溫，60 秒內不操作，操作模式結束產品會返回待機模式。

6.4 煲水功能

1. 插頭插入電插座，觸碰溫度設定鍵(+ / -)設定溫度，溫度數字會閃爍提示。
2. 設定好所需要的溫度後，觸碰開關鍵(START)進入加熱狀態；如沒有設定溫度直接觸碰開關鍵(START)，以溫度(100°C)進入加熱狀態。
3. 如果水溫未達到選定的溫度，水壺會持續加熱，LED 指示燈以藍燈提示，直至達到選定溫度，蜂鳴器發出“嗶”兩聲提示，LED 指示燈熄滅，顯示屏顯示即時溫度約 3 秒後熄滅，水壺返回待機狀態。
4. 產品在煲水或保溫狀態下，再觸碰溫度設定鍵(+ / -)，可變更設定溫度值。更改設定 3 秒後會自動啟動已選擇的溫度。

6.5 保溫功能

1. 插頭插入電插座，觸碰保溫鍵(KEEP WARM)，螢幕溫標會閃爍。
2. 觸碰溫度設定鍵(+ / -)選定需保溫的溫度。
3. 觸碰開關鍵(START)，產品開始加熱，並加熱完成後保溫在設定溫度。
4. 產品會在保溫 30 分鐘後自動返回待機模式，蜂鳴器「嗶」兩聲提示保溫完結。
5. 在開始保溫功能後，觸碰開關鍵(START)可取消保溫功能，產品返回待機模式。

7. 特別聲明

1. 本說明書的內容經過核對，如有任何印刷錯誤及內容上的誤解，本公司將保留解釋權。
2. 本產品若有技術改進，會編進新版說明書中，恕不另行通知；產品外觀及規格以廠方生產資料為準。
3. 此說明書的電子副本可以經電子郵件發送至用戶，如有需要，可致電**信興電工工程有限公司**：2861 2767。

8. 售後服務

信興電工工程有限公司(“本公司”)授權信興電器服務中心有限公司(“服務中心”)提供一年保修服務並由發票/換購收據上的日期起計。(“服務中心”)保留所有更改保修條款的權利，恕不另行通知，有關保修條款詳情，可參閱本公司網站。

Thank you for choosing Rasonic temperature control kettle. Please read the operation manual carefully before use and well keep for your future reference.

Table of Contents

1. Important Safeguards
2. Maintenance, Cleaning and Storage
3. Product Specifications
4. Product Descriptions
5. First Use
6. Operation Instructions
7. Special Avowal
8. After Sales Service

1. Important Safeguards

1. To avoid danger, use the appliance only as described in the operation manual. Do not use it or any part of the appliance outdoors or out of the intended purpose. Misuse can cause potential injury and malfunction.
2. Only use the appliance with the original power base. Make sure that the power base and main body are well connected before use, and make sure power plug are plugged in tightly on the power socket before use. Otherwise it will cause the appliance overheat or damage due to contact failure.
3. Do not fill water directly from the tap or in a sink to avoid spillage on the connector or water getting into the appliance, it may cause electronic parts malfunction or danger.
4. Do not use deficient or loosen socket.
5. Cleaning and user maintenance shall not be made by children unless they are aged from 8 years and above and supervised. Children being supervised not to play with the appliance. Keep the appliance, power base and its power cord out of children aged less than 8 years
6. Do not attempt to modify the appliance by yourself or repair with any unauthorized parts, otherwise it can cause hazards and the warranty will become invalid.

7. Do not use the same socket with other high power consumption appliance, use the extension sockets beyond its capacity or use the power supply other than 220-240V~ to avoid danger caused by overload.
8. Clean the appliance after use. Must not immerse the appliance, power base or plug in water or let them wet, it can cause electric shock and fire.
9. Do not add water exceed the maximum “MAX 1.7 L” level marked inside the appliance. If the appliance is overfilled, boiling water may be ejected.
10. Do not touch, plug in or remove the plug with wet hand, it can cause electric shock.
11. Always check the condition of the appliance, power base, power cord and plug. If damage is found, stop using the appliance immediately. To avoid hazard, contact **Shun Hing Electric Service Centre Limited** to check and repair.
12. The appliance is for boiling water only. Do not heat and contain any liquids other than water such as milk, tea or ice etc.
13. Do not move or shake the appliance when in use, so as not to cause danger.
14. Do not cover the appliance and spout with any objects, so as not to cause overheat and malfunction.

15. Use the handle to move or lift the main body and pour out the hot water slowly to avoid burn.
16. Do not place heavy objects on the power cord. Never clip, modify, stretch or twist the power cord.
17. To avoid burn, never get your face or hands close to the lid or spout, or touch the housing which become hot; never touch the heating plate after use which is subject to residual heat.
18. Do not open the lid during operation or right after used. Otherwise, massive hot steam may come out from the steam vent.
19. When open the lid, be careful of the hot steam and hot water droplets dripping from the lid.
20. Do not operate the appliance in the following places:
 - Near humid environment or water;
 - Expose to sunlight or near heat sources such as electric oven, induction cooker and fire;
 - On unstable surface;
 - Near inflammable or nonresistant to heat objects (e.g. table cloth, curtain and towel etc.).
21. Do not operate the appliance when the power cord is tangle or hang the power cord over the edge of table, counter-top or let it touch any hot surface, it may damage power cord.

22. Condense water droplets may appear on the power base. This is normal and does not indicate the appliance malfunction.
23. Never remove the main body from the power base during boiling water.
24. Before filling or pouring water, ensure the appliance is switched off and the main body is separated from the power base.
25. Be sure to grasp the power plug when plug in or unplug the plug, do not grasp the power cord.
26. Make sure the appliance surface, power base and plug are clean and dry before use, otherwise it may cause malfunction.
27. Always pay attention to the water level. Make sure to refill water before the water is below the minimum “MIN 0.25 L” level marked inside the appliance to avoid boil-dry, otherwise it may cause malfunction.
28. The appliance is intended to be used in household or similar applications such as staff kitchen in shops, offices and other working environments; farm houses; by clients in hotels; motels; other residential type environments; bed and breakfast type environments.

29. The appliance can be used by children aged from 8 years and above and persons with reduced physical, sensory or mental capabilities or lack of experience and knowledge, if they have been given supervision or instruction concerning use of the appliance in a safe way and understand the hazards involved.
30. After use, unplug the appliance from the power socket and then empty the appliance. Let the appliance cool down before moving, cleaning or checking.
31. Be careful when closing the lid to avoid pinching your hands and causing danger.

2. Maintenance, Cleaning and Storage

1. Before cleaning, always unplug the appliance from the power socket, lift the main body from power base and let it cool down.
2. Do not rinse the appliance with water. Use a slightly damp cloth to clean the appliance surface. If it is too dirty, wipe with a damp cloth with mild detergent, then wipe them dry.
3. When clean the inner pot and heating plate, use soft brush or sponge moisten with mild detergent and rinse with clean water. Never use cleaning powder or harsh cleaning tools (e.g. metal-wired brush).

4. Never use alkaline, poisonous or corrosive detergent to clean the appliance.
4. When store, wind the power cord under the power base. Never wrap the power cord tightly around the power base or put pressure on it to avoid the power cord damage.
5. When store, put the appliance into a box and store it in a dry place.

2.1 Descaling procedure:

After use, some color spots (e.g. red, milky, black, etc.) and discolor may appear in the appliance inner pot and heating plate. This is because of the impurities contained in water or the accumulated scale. The harder the water, the faster the scale will build up. Scale can occur in different colors. Although scale is harmless, too much scale can affect the performance of the appliance. To avoid this, descale the appliance regularly.

1. Put 1-2 pieces of sliced lemon or 20g citric acid for 1L water into the appliance.
2. Fill clean water to the maximum “MAX 1.7 L” level marked inside the kettle.

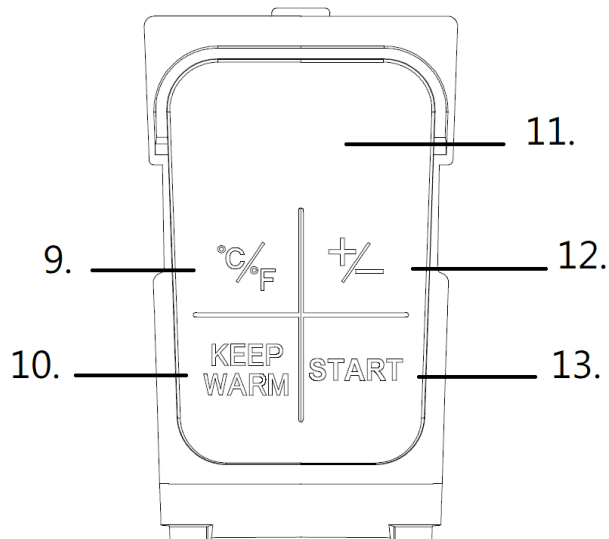
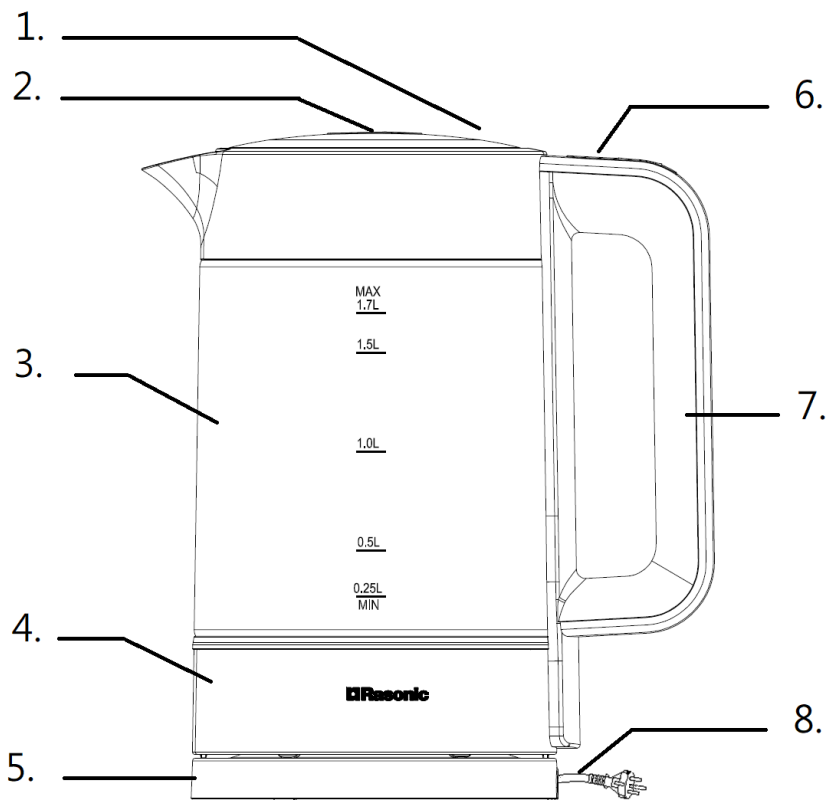
3. Connect the appliance with power source and let the water boil once. Cool down the appliance for 15 minutes after boiled, then empty the appliance. **CAUTION!** Water with sliced lemon or citric acid should not keep in the inner pot a long time to prevent deteriorating the heating plate.
4. Clean the inner pot and heating plate with a sponge or soft brush, then rinse it with water.
5. Fill water to boil again and then empty the appliance.
6. Repeat the above procedure if some scale remains in the cavity.

3. Product Specification

Model	RK-X173G
Rated Voltage	220-240V~ 50-60Hz
Rated Power	1850-2200W
Capacity (Approx.)	1.7 L
Net Weight (Approx.)	1.1 kg
Product Size (W x D x H) (Approx.)	217 x 138 x 255 mm

4. Product Descriptions

1. Lid
2. Lid release button
3. Water level gauge
4. Main body
5. Power base
6. Control panel
7. Handle
8. Power cord
9. Temperature scale button
10. Keep warm button
11. Display screen
12. Temperature setting button
13. Start button



Control Panel

5. First Use

1. Remove all the packing materials from the appliance.
2. Place the power base on a dry, stable and flat surface.
3. Unwind the power cord from the power base to suitable length. Pass the power cord through the slot of the power base to fix in place
4. Rinse the inner pot with water. Then fill water to the maximum “MAX 1.7 L” level marked inside the kettle and let the water boil once (**Refer to Chapter 6. Operation Instructions**).
5. Pour out the hot water and rinse the inner pot once more.
6. If necessary, you can repeat the step 4 and step 5 to clean the appliance again.

6. Operation Instructions

6.1 Operation Descriptions

1. Before fill water into the kettle, remove the main body from the power base and press the lid release button to open the lid.
2. Fill the kettle with tap water or distilled water. Do not fill below the minimum “MIN 0.25 L” or above the maximum “MAX 1.7 L” level marked inside the kettle to avoid boil-dry or hot spillage when boiling. Do not boil or keep warm when the water is below the “MIN 0.25L” level mark.
3. Close the lid making sure it is tightly shut.
4. Place the main body on the power base and plug the power cord firmly into a power socket.

5. When the kettle is not in use, it can be placed on the power base, but must be unplug from power socket.

CAUTION:

- Dry boil protection will automatically cut off the power if the kettle is accidentally operated without water. If the appliance was boiled dry once, switch off and lift the main body from the power base and cool down for 15 minutes before reuse.
- When pouring hot water, be very careful. Do not open the lid when there is hot water inside to avoid burns.

6.2 Function description

Introduction to control panel operating modes

1. The appliance uses touch panel and digital display.
2. Each time the button is press, there will be a "beep-" sound notice.
3. When boiling is completed, there will be two "beep-" prompts.
4. After the appliance is powered on, the preset temperature scale is displayed as Celsius (°C). You can press the temperature scale button (°C/°F) to change the temperature scale to Fahrenheit (°F).
5. Press the temperature setting button (+ / -) to set different temperature levels.
6. In heating state, the LED indicator will be displayed in blue.
7. In keeping warm state, the LED indicator will be displayed in green.
8. The current water temperature will display on the screen during operation, increasing or decreasing in every 1 degree.
9. If touch the "START" button during operation, the main body will stop operation and turn to standby mode.

10.The appliance will automatically turn to standby mode after 30 minutes of operation under the keep warm function.

Function corresponding LED indicator light color and temperature refer:

Set function temperature	Heating temperature (approx.)	Keeping temperature (approx.)	Temperature reference
40°C	40°C	40°C	40°C / 104°F
50°C	50°C	50°C	50°C / 122°F
60°C	60°C	60°C	60°C / 140°F
70°C	70°C	70°C	70°C / 158°F
80°C	80°C	80°C	80°C / 176°F
90°C	90°C	90°C	90°C / 194°F
100°C	100°C	N/A	100°C / 212°F

6.3 Status Mode

1. Standby mode

The display screen and LED indicator lights turn off. If touch any button, the screen display will light up and turn to operation mode.

2. Operation mode

Plug in the power and place the kettle on the base. The indicator light flashing (red, green, blue) the buzzer sounds twice, the screen displays the current water temperature. If touch the temperature setting button (+/-), the digital display will cycle through 7 temperatures level (40°C, 50°C, 60°C, 70°C, 80°C, 90°C, 100°C). If not any operation for 60 seconds, appliance will turn to standby mode.

3. Lift the kettle while the power base is power on

Lift the kettle during operation mode will cancel current operating function. Then place the kettle back on the base, the LED indicator lights will flash (red, green, blue), and the buzzer will sound twice. The product displays the current water temperature. If it is not operated within 60 seconds, it will turn to standby mode.

6.4 Boil water function

1. Put the plug in the socket, touch the temperature setting button (+ / -) to set temperatures.
2. After setting the temperature, touch the start button to start heating. If you do not set the heating temperature default temperature is (100°C).
3. If water temperature does not reach the selected temperature, the kettle will be heated, and the LED indicator blue light will stay on until it is heated to the selected temperature. The buzzer will sound “beep” two times, the LED indicator light will go out, and the display will show the current temperature for 3 seconds. Then goes out, the kettle automatically turn to standby mode.
4. If the product is in the boiling or keeping warm state, if touch the temperature setting button (+ /-) again, you can change the setting temperature. The selected temperature will automatically start in 3 seconds after change.

6.5 Keep warm function

1. Put the plug in the socket, touch the keep warm button, the temperature scale will be flashing.
2. Touch temperature setting button (+ / -) to set the keep warm temperature.
3. Press the start button, the product start heating and keep warm at selected temperature.
4. The product will automatically turn to standby mode after 30 minutes of keeping warm. The buzzer will beep twice when the operation is finished.

5. During the keep warm function. Touch the start button to stop the keep warm function and change appliance to standby mode.

7. Special Avowal

1. The information above has been checked; our company reserves the hermeneutic power to any print errors or misunderstanding on the content.
2. Please note that any technology improvement will be added to the new versions of operation manual without any prior notices. The product appearance and color are subject to the actual appliance.
3. E-copy of operation manual can be sent by e-mail on request, please call **Shun Hing Electric Works and Engineering Co., Ltd** at 2861 2767.

8. After Sales Service

Shun Hing Electric Works & Engineering Co., Ltd. (“The Company”) authorizes Shun Hing Electric Service Centre Ltd. (“SHESC”) to offer one year warranty service to the product commencing from the date of purchase invoice or redemption voucher. SHESC reserves the right to change the warranty terms without prior notice. For details of the warranty terms, you can refer to our website.

備忘錄



SHUN HING GROUP
信興集團
SINCE 1953

Rasonic 樂信牌

信興電工工程有限公司

SHUN HING ELECTRIC WORKS AND ENGINEERING CO., LTD.

辦公室：香港九龍尖沙咀東部麼地道 67 號半島中心 9 樓

電話：2861 2767

圖文傳真：2865 6706

網址：<http://www.rasonic.hk>

電郵：shew@shunhinggroup.com

Office: 9/F, Peninsula Centre, 67 Mody Road, Tsimshatsui East, Kowloon, Hong Kong

Tel: 2861 2767

Fax: 2865 6706

Website: <http://www.rasonic.hk>

E-mail: shew@shunhinggroup.com

保養及維修 Maintenance and Repair Service:

信興電器服務中心有限公司

SHUN HING ELECTRIC SERVICE CENTRE LTD.

香港新界葵涌勝耀街 2 號信興中心 11 樓

電話：2406 5666

圖文傳真：2408 0316

網址：<https://www.shunhing-service.com/zh>

11/F, Shun Hing Centre, 2 Shing Yiu Street, Kwai Chung, N.T. HK

Tel: 2406 5666

Fax: 2408 0316

Website: <https://www.shunhing-service.com/en>

客戶服務中心：

香港新界葵涌勝耀街2號信興中心1樓

九龍尖沙咀東部麼地道67號半島中心B座9樓

香港天后琉璃街7號柏景中心22樓

澳門慕拉士大馬路193-199號南嶺工業大廈5樓I座

Customer Service Centre

1/F, Shun Hing Centre, 2 Shing Yiu Street, Kwai Chung, N.T.

9/F., Block B, Peninsula Centre, 67 Mody Road, Tsim Sha Tsui East, Kowloon

22/F, Parkview Centre, 7 Lau Li Street, Tin Hau, Hong Kong

Avenida de Venceslau de Morais, No. 193-199, 5 andar - I, Edf. Industrial Nam Leng, Macau

有關最新之香港及澳門客戶服務中心資料，請參閱信興服務中心網址：

<https://www.shunhing-service.com/zh>

For the latest information of Hong Kong and Macau service center, please visit:

<https://www.shunhing-service.com/en>

RK-X1024